

LASER

ENCLOSURES

- Innovative and safe**
- + Certified according to DIN EN**
- + Modular design**



 **MayTec[®]**

www.maytec.de



Laser Enclosures

Modular safety solutions

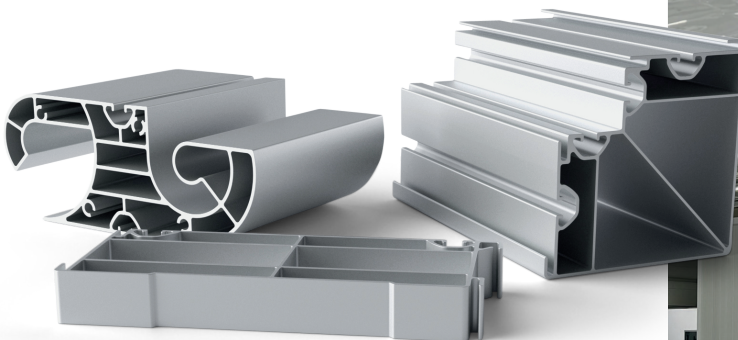
Our free standing laser enclosures offer maximum protection, high flexibility, and an innovative design for modern laser processing systems.

The advantages:

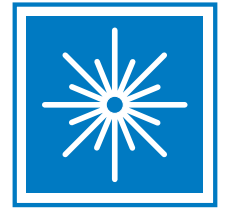
- Laser protection up to 6 kW disc lasers
- Double or four-walled system design depending on the required laser class
- Self-supporting construction up to 12 m
- Laser Enclosures heights up to 7.5 m, length freely configurable
- Standard slot system enables modular extensions and any combinations within a wall
- Corner angles freely adjustable

Certifications

- DIN EN 12626 – Safety of machinery – Laser processing machines
- DIN EN ISO 11553-1:2005 – Laser processing machines
- DIN EN 60825-1 – Safety of laser equipment Part 1: Classification of equipment, requirements and user guidelines
- DIN EN 60825-4 – Safety of laser equipment Part 4: Laser protective barriers



System Structure

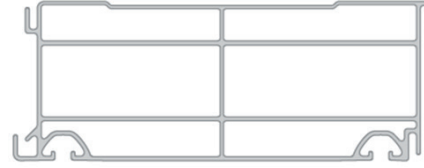
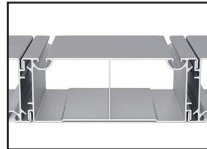


Select the appropriate profile for the required laser class:

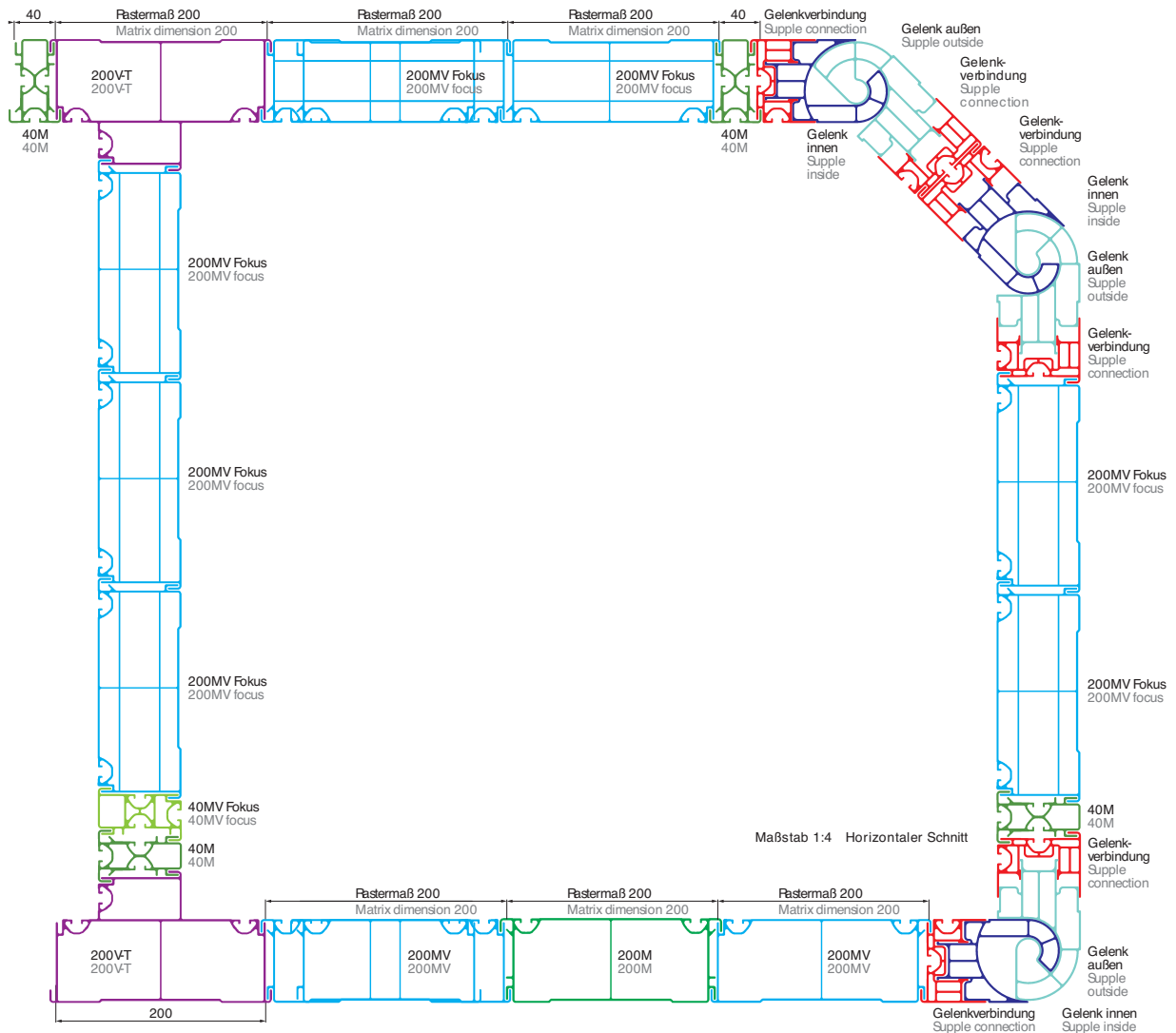
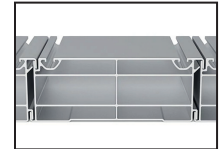
- Perfect, multi-stage labyrinth system
- 8-slot system grid 40 for accommodating installation systems
- Light-tight



Double-walled system design:
Protection against laser radiation up to 4 kW cw Nd-YAG disc lasers



Four-wall system for applications in the focus range:
Protection against laser radiation up to 6 kW cw Nd-YAG disc lasers



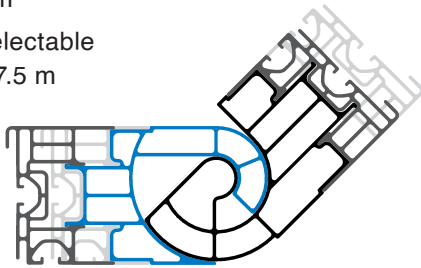
Cabin and Equipment



Body

Customization options:

- Cabin length/width possible in increments of 40 cm
- Cabin height freely selectable up to a maximum of 7.5 m
- Corner design fixed at 90° or variable with joint profiles 0°–180°



Access doors / maintenance doors

All doors are DIN-certified.

Customization options:

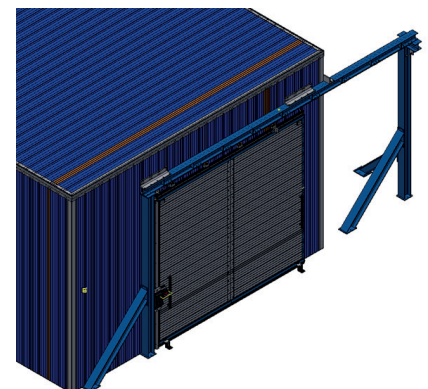
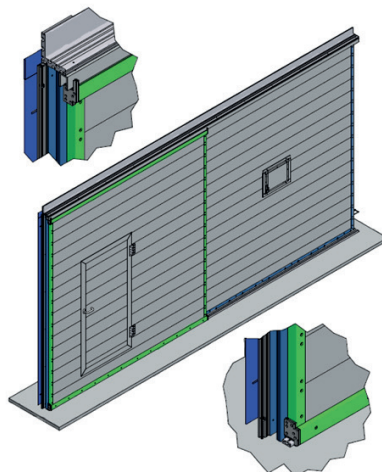
- Single or double maintenance door – can also be combined
- Right/left hinge
- Laser window
- Air flow opening
- Safety switch
- Multi-point locking system



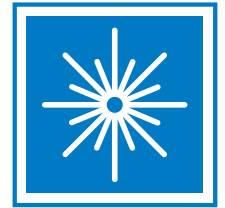
Sliding process gates

Customization options:

- Can be combined with access door and laser window
- Also available in heavy-duty version with helmet rail



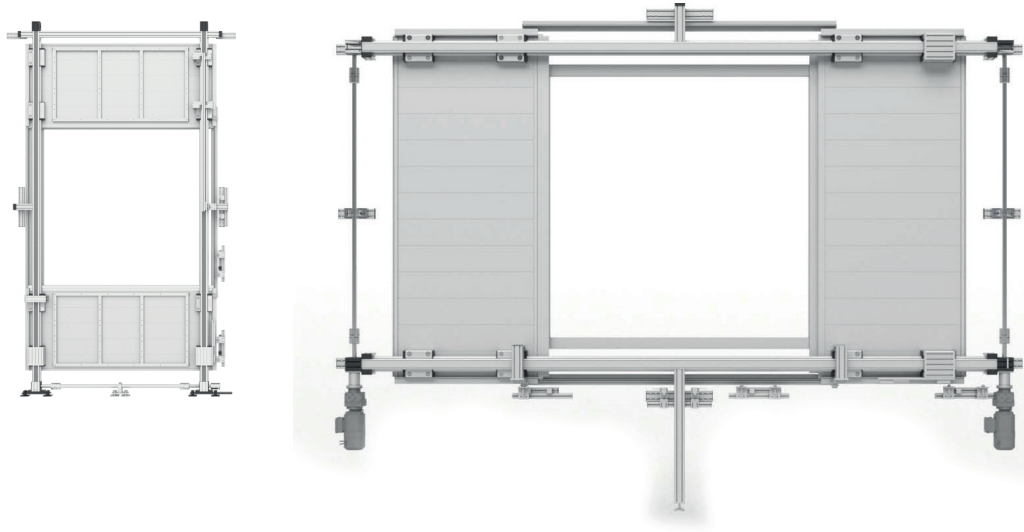
Cabin and Equipment



Process gate

Customization options:

- Vertical or horizontal
- Various motor mountings



Lifting gates

Customization options:

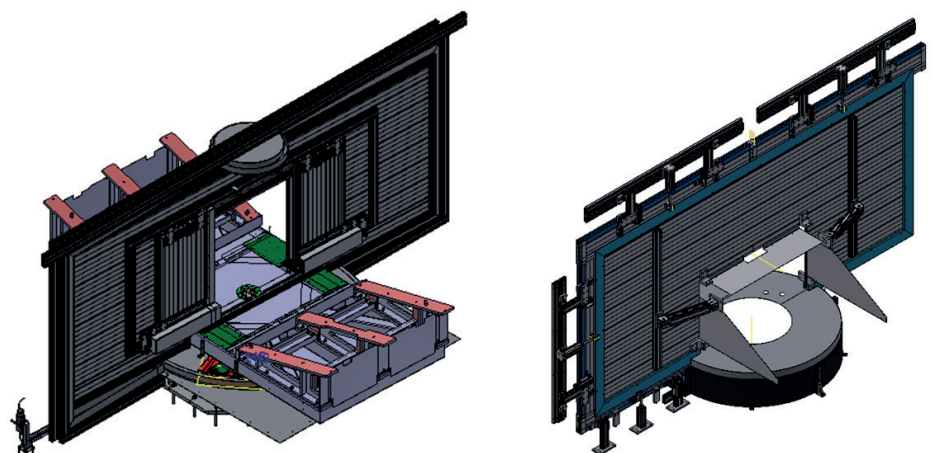
- Pneumatic or with counterweight
- Various motor mountings
- Also for openings



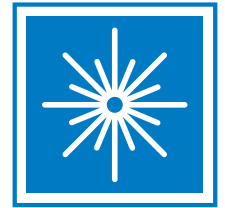
Seals for turntables

Customization options:

- Various motor mountings
- Also suitable for lift gates
- Suitable for 2- or 3-fold rotary tables
- With or without slide



Cabin and Equipment



Extraction systems

- Cable diameter and quantity according to customer requirements



Cable bushings

- According to customer requirements and local conditions



Ventilation openings

Customization options:

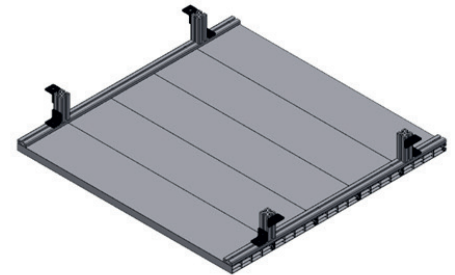
- For walls: horizontal or vertical
- For doors: horizontal only, in various sizes



Spark trap

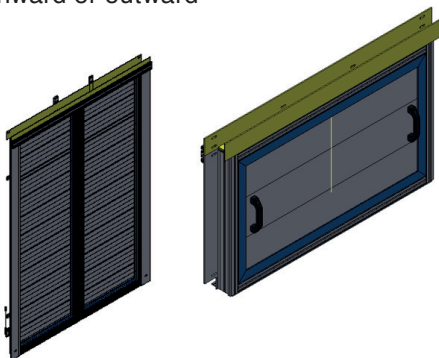
Customization options:

- Fixed size for ceiling/wall openings
- For focus area doors adapted to the respective flow openings



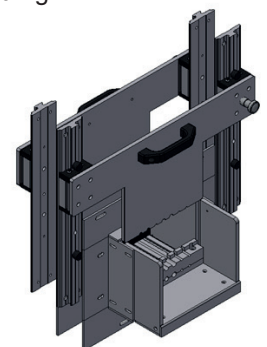
Maintenance flaps

- Removable inward or outward



Fiber optic cable feed-through (LLK)

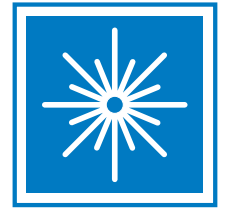
- Cable diameter and quantity according to customer requirements



Additional equipment options:

- Cabin monitoring: Camera surveillance, monitors, etc. according to customer requirements
- Structural engineering: Steel construction and crane runway from certified suppliers possible according to customer requirements

Technical specifications

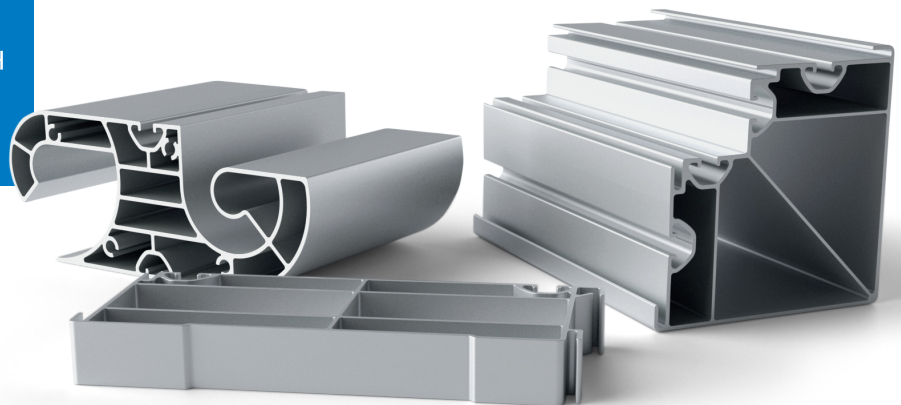


Profiles	8-slot system – 40 mm grid; double-walled or four-walled system structure
Laser protection	double-walled: up to 4 kW cw Nd-YAG disc laser four-walled: up to 6 kW cw Nd-YAG disc laser
Corners	fixed 90° or variable with joint profiles 0° – 180°
Dimensions	in 40 mm increments up to max. 12 m (L + W) / up to max. 7.5 m (H)
Certifications	DIN EN 12626 – Safety of machinery – Laser processing machines DIN EN ISO 11553-1:2005 – Laser processing machines DIN EN 60825-1 – Safety of laser equipment Part 1: Classification of equipment, requirements, and user guidelines DIN EN 60825-4 – Safety of laser equipment Part 4: Laser protective barriers
Equipment and customization options	<ul style="list-style-type: none">· Body· Access doors / Maintenance doors· Sliding doors· Process doors· Lifting doors· Seals for turntables· Cable bushings· Extraction systems· Ventilation openings· Spark trap· Fiber optic cable feed-through· Cabin monitoring (camera surveillance and monitors)· Structural engineering (steel construction and crane runway)

QUESTIONS?

mail@maytec.de

MayTec Aluminium Systemtechnik GmbH
Gewerbering 16 · 82140 Olching (GER)
www.maytec.de



Disclaimer: Subject to change and errors excepted. Please ensure that you are always using the latest version.
Version: Laser-Enclosures_2026_EN1.0



MayTec Aluminium Systemtechnik GmbH · info@maytec.de · www.maytec.de
Headquarter South: Gewerbering 16, 82140 Olching, GER · Location North: Gewerbepark Meißen 17, 32423 Minden, GER



MayTec[®]

MayTec Aluminium Systemtechnik GmbH

mail@maytec.de

www.maytec.de

Headquarter:

Gewerbering 16

82140 Olching

Germany

The smart way to connect

